

# 12V

# 2000A

# GB70



## START DEAD BATTERIES. ULTRASAFE® LITHIUM JUMP STARTER.™

### GAS & DIESEL

#### UP TO 8.0L GAS & 6.0L DIESEL.

Designed for gas engines up to 8 liters and diesel engines up to 6 liters for cars, SUVs, trucks, boats, RVs, and more.

### USB

#### CHARGE & RECHARGE.

It's internal battery can be used to recharge any personal mobile devices like smartphones, tablets, or any other USB device, and can be recharged by any powered USB port.

### 40X

#### UP TO 40 JUMPSTARTS.

Compact, yet powerful lithium jump starter rated at 2,000 amps. Full power to jump start a vehicle up to 40 times on a single charge.

### ULTRA SAFE

#### SPARK PROOF TECHNOLOGY.

Safely connect to any 12-volt car battery with our mistake-proof design featuring spark-proof technology and reverse polarity protection.



30339 Diamond Parkway, #102  
Glenwillow, OH 44139 | USA  
1.800.456.6626

no.co



AUTO | MARINE | RV | POWERSPORT | LAWN & GARDEN



## INTERFACE

### POWER LED

The jump starter is in standby or the battery voltage is too low for the jump starter to detect.



### POWER BUTTON

Push to turn unit "On" & "Off".



### CHARGE LED

Indicates the charge level of the internal battery.



### BOOST LED

Illuminates white when boost is active. The LED flashes white when manual override feature is active.



### LIGHT MODE BUTTON

Toggles the ultra-bright LED light through 7 light modes: 100% > 50% > 10% > SOS > Blink > Strobe > Off



### ERROR

Illuminates Red if reverse polarity is detected. Blinks "on" and "off" in various sequences to convey error conditions.

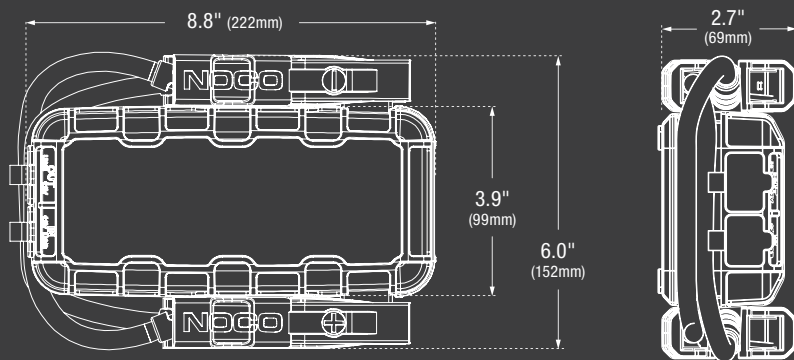


### MANUAL OVERRIDE.

Press and hold the manual override button for 3 seconds, until the Boost LED starts flashing, to enter into manual mode.



## WHAT'S IN THE BOX



\*Accessories not to scale with GB70



XGC Extension Cable



USB-MicroUSB



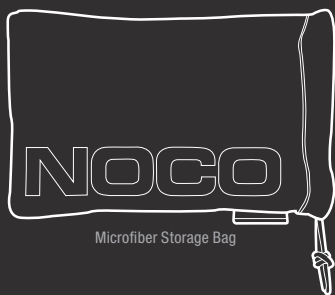
User Guide



XGC 12V Male Adapter



XGC 12V Female Adapter



Microfiber Storage Bag

## CHARGE DEVICES.

Recharge your personal devices on the go, like smartphones, tablets, e-watches and more - up to 6 smartphone recharges.

## RECHARGE TIME

0.5A	12hr
1A	6hr
2A	3hr

## TECHNICAL SPECIFICATIONS

INTERNAL BATTERY:	56 Watt-Hour Lithium Ion																
PEAK CURRENT RATING:	2000A																
OPERATING TEMPERATURE:	-4°F to +122°F (-20°C to +50°C)																
CHARGING TEMPERATURE:	32°F to +104°F (0°C to +40°C)																
MICRO USB (INPUT):	5V, 2.1A																
USB (OUTPUT):	5V, 2.1A																
XGC (INPUT):	12 VDC, 3A Fast Charge																
XGC (OUTPUT):	12 VDC, 15A Power Supply																
HOUSING PROTECTION:	IP65 (w/Ports Closed)																
COOLING:	Natural Convection																
UNIT WEIGHT:	4 lbs (1.81kg)																
UNIT WEIGHT W/ CLAMPS & ACCESSORIES:	5 lbs (2.26kg)																
LED FLASHLIGHT:	400 Lumens																
VOLUMETRICS:	<table border="0"> <tr> <td><b>Retail Packaging:</b></td> <td><b>Master Carton:</b></td> </tr> <tr> <td>Dimensions: 7.28"x4.84"x9.80"</td> <td>Dimensions: 15.98"x10.83"x11.50"</td> </tr> <tr> <td>Weight: 5.09lbs</td> <td>Weight: 22.60lbs</td> </tr> <tr> <td>UPC: 0-46221-15005-6</td> <td>Quantity: 4</td> </tr> <tr> <td></td> <td>UCC: 10046221150053</td> </tr> <tr> <td><b>Inner Carton:</b></td> <td><b>Units Per Pallet:</b></td> </tr> <tr> <td>Dimensions: 10.27"x7.72"x5.39"</td> <td>NA - 180 Units</td> </tr> <tr> <td>Weight: 5.44lbs</td> <td>EU - 120 Units</td> </tr> </table>	<b>Retail Packaging:</b>	<b>Master Carton:</b>	Dimensions: 7.28"x4.84"x9.80"	Dimensions: 15.98"x10.83"x11.50"	Weight: 5.09lbs	Weight: 22.60lbs	UPC: 0-46221-15005-6	Quantity: 4		UCC: 10046221150053	<b>Inner Carton:</b>	<b>Units Per Pallet:</b>	Dimensions: 10.27"x7.72"x5.39"	NA - 180 Units	Weight: 5.44lbs	EU - 120 Units
<b>Retail Packaging:</b>	<b>Master Carton:</b>																
Dimensions: 7.28"x4.84"x9.80"	Dimensions: 15.98"x10.83"x11.50"																
Weight: 5.09lbs	Weight: 22.60lbs																
UPC: 0-46221-15005-6	Quantity: 4																
	UCC: 10046221150053																
<b>Inner Carton:</b>	<b>Units Per Pallet:</b>																
Dimensions: 10.27"x7.72"x5.39"	NA - 180 Units																
Weight: 5.44lbs	EU - 120 Units																

**NOCO**

30339 Diamond Parkway, #102  
Glenwillow, OH 44139 | USA  
1.800.456.6626

no.co

